

NEXTLITE[®]

PRODUCTS OF NEXTLITE - UAE

www.nextliteelectricals.com



NEXTLITE
CIRCUIT
PROTECTION **ITEMS**

NEXTLITE
CIRCUIT
PROTECTION **ITEMS**



NEXTLITE®



AUTOMATIC BREAKER SERIES

Function:

Apply to the overload protection of high capacity machine for home or industry. Easy for assembly and using

MODEL	POLE	CURRENT(A)	VOLTAGE(V)	LCU/LCS(KA)
HJ-DC2132EB	2P1E	32	AC230V	1.5
HJ-DC2140EB	2P1E	40	AC230V	1.5

MCB

TABLE DISPLAY BOARD



NEXTLITE®


PRODUCTS OF NEXTLITE - UAE




NEXTLITE CIRCUIT PROTECTION ITEMS

www.nextliteelectricals.com

MINIATURE CIRCUIT BREAKER

 MODEL BGDZ65-63/1	POLE	RATED VOLTAGE (V)	RATED CURRENT (A)	WIDTH (MULTIPLE OF 9MM)	LCU(KA)
	1	AC230V/400V	10	2	4.5
	1	AC230V/400V	16	2	4.5
	1	AC230V/400V	20	2	4.5
	1	AC230V/400V	25	2	4.5
	1	AC230V/400V	32	2	4.5
	1	AC230V/400V	40	2	4.5
	1	AC230V/400V	63	2	4.5

EARTHLEAKAGE CIRCUIT BREAKER

 MODEL BGDZ65LE-63/1	POLE	RATED VOLTAGE (V)	RATED CURRENT (A)	Lan(mA)	WIDTH (MULTIPLE OF 9MM)	LCU(KA)
	1	AC230V	25	30,50,100	6	4.5
1	AC230V	32	30,50,100	6	4.5	

Function:

1. With breaking indicator light
2. Operate quick, rated sensitivity is 0.03s-0.08s
3. Rated leakage current to activate devices is up to 15mA-30mA
4. Reliable performance
5. Elegant appearance
6. Central electronic components are imported from Korea
7. With full range of specifications and models
8. Suitable for all kinds of projects, domestic, commercial and industrial

NEXTLITE®

PRODUCTS OF NEXTLITE - UAE



DISTRIBUTION BOX WITH WHITE PANEL,
FLUSH MOUNTED METAL BOX

DISTRIBUTION BOX WITH WHITE PANEL, FLUSH MOUNTED METAL BOX



MODEL	PC-11B(H)
MODULE	7-11
COVER COLOR	Picture(Replaceable)
BASE BOX(mm)	256x200x80



MODEL	PC-14B(H)
MODULE	10-14
COVER COLOR	Picture(Replaceable)
BASE BOX(mm)	320x200x80



MODEL	PC-34B(H)
MODULE	26-34
COVER COLOR	Picture(Replaceable)
BASE BOX(mm)	435x340x80

FUNCTION:

1. Larger Space

It has larger space for hiding wires which makes wiring inside the box easier and keeps wires from each other at a safe distance.

2. Easy Wiring

Movable guide rail plate can be put out of the box for wiring, unlimited by the space within the box. Panel can be adjusted to a level position with an ellipse hole in the guide rail plate, which betters its appearance.

3. Easy adjustment

Innovated function of adjustment enables the distribution box to adjust its height freely with in a range from installation depth to the outside wall, which can be 20mm deep in the box.

4. Easy Identification

The unique clearly-printed display of mcbs makes the wiring structure clear as well as search of easy connection and maintenance.

5. Sealed Connection

Screws of Earth and neutral bar are both connected in sealed way, which fastens and beautifies the whole structure.

6. Automatic Opening

It adopts the new functions of automatic opening and closing by pressing, which is easy and convenient.

NEXTLITE[®]

PRODUCTS OF NEXTLITE - UAE



NEXTLITE[®]
PRODUCTS OF NEXTLITE - UAE

OUTDOOR MAIN DISTRIBUTION BOX

- ◉ With waterproof gasket:
- ◉ Made of engineering plastic and long performance life, easy for installation:
- ◉ Used for outdoor main distribution box, such as neon light and advertisement illumination etc.

www.nextliteelectricals.com

**EXCELLENT
TECHNIQUE
COMFORTABLE STYLE**

EXCELLENT TECHNIQUE

COMFORTABLE STYLE



WP-6T

Waterproof Box with
Transparent cover



WP-8T

Waterproof Box with
Transparent cover



WP-8W

Waterproof Box with
White cover

FEATURES:

This waterproof box is made of high strength and impact resistance PC material; Applicable to protect the outdoor equipments, such as lighting, supervisory and other electrical systems. With rubber seal ring on the cover, showing high performance for protecting the water, dust, insects etc. The protect level is up to IP51

NEXTLITE

PRODUCTS OF NEXTLITE - UAE



Single Phase Consumer Units

The Supreme Series features a rugged metal and plastic combination enclosure giving an excellent aesthetic look. It's a complete system with busbar backpan including earth and neutral. Door with special elegant latch type lock as standard. Key lock is optional.

Supreme Consumer Units are arranged for Single Phase and neutral with incoming options as 63 to 125A Isolator OR 40 to 100A ELCB Or both and outgoing circuits utilizing MCBs SP upto 63A with 6kA/10kA breaking capacity. These are factory assembled with 125A busbar. Units are available in five options with the choice of 4, 6, 8, 12 and 18 outgoing ways with transparent and steel door. Special units incorporating contactors, timers, instruments, etc. can be provided upon request.

The completely detachable chassis contains all components including neutral bars. It is fixed inside the box with extended studs having star-nuts provided for the adjustment of its depth. The empty enclosure can then be installed easily. This feature avoids the possibility of damaging the interior during construction work.

Construction

Consumer Units are made from high quality EG sheet Steel of thickness 1.2mm. The top and bottom of the boxes are provided with a knockout of 20mm for outgoing cable and a 25mm knockout for the main cable. Units are complete with front cover and doors flush or surface. Front door is either transparent polycarbonate or steel.

Standards

- > IEC 60439:1992 BS 5486, Part 12
- > Service Voltage : 240V 50/60Hz Rated Insulation Voltage : 415VAC

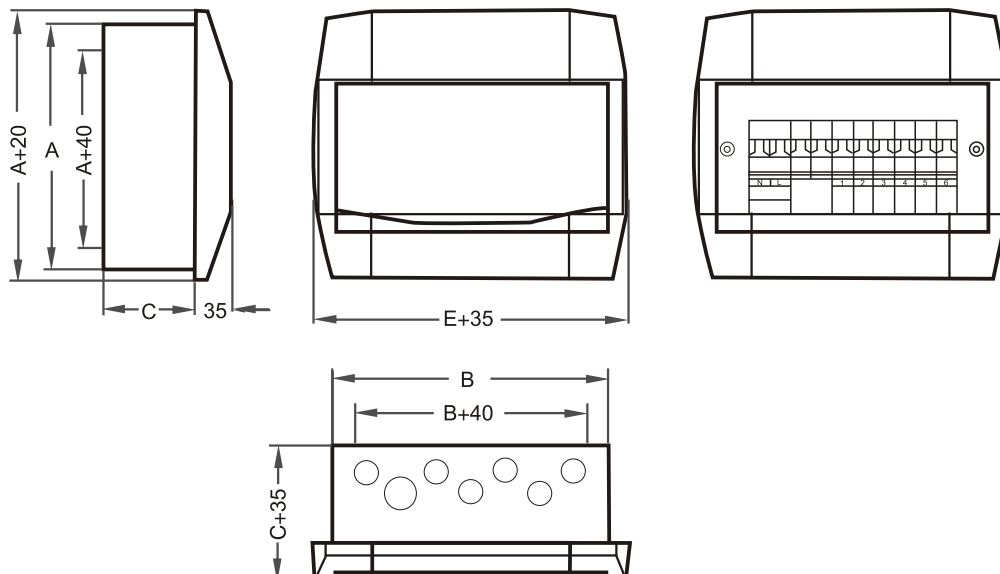
Surface Finish

Cover and door is combination of plastic and steel having a same colour combination. The surface of the steel parts are pretreated with Zinc Phosphate and protected both internally and externally with polyester powder coating. The colour is normally RAL 7035 textured. There is an option of having three other standard RAL colours. (Any special colour can be made available upon request).

Optional

- > Incomer Padlocking device
- > Locking facility for doors
- > Removable gland plates with or without knockouts
- > Special boards incorporating contactors, timers, instruments, RCD, etc.

Distribution
Boards



Distribution Boards

1-Ph Consumer Units with 2P-Isolator or ELCB

SP&N boards 125A with Transparent Door

No. of Ways	Transparent Door Catalogue Number	Matel Door Catalogue Number	No. of Outgoing MCBs	Width A	Height B	Depth C
4	S1CU011204T	S1CU011204M	4	205	240	80
6	S1CU011206T	S1CU011206M	6	205	240	80
8	S1CU011208T	S1CU011208M	8	205	290	80
12	S1CU011212T	S1CU011212M	12	205	370	80
14		S1CU011214M	14	205	410	80
16		S1CU011216M	16	205	450	80
18		S1CU011218M	18	205	500	80

1-Ph Consumer Units with 2P-Isolator plus ELCB

SP&N boards 125A with Transparent Door

No. of Ways	Transparent Door Catalogue Number	Matel Door Catalogue Number	No. of Outgoing MCBs	Width A	Height B	Depth C
4	S1CU012104T	S1CU012104M	4	205	240	80
6	S1CU012106T	S1CU012106M	6	205	290	80
8	S1CU012108T	S1CU012108M	8	205	370	80
10	S1CU012110T	S1CU012110M	10	205	370	80
12		S1CU012112M	12	205	410	80
14		S1CU012114M	14	205	450	80
16		S1CU012116M	16	205	500	80

1-Ph Split Consumer Units with 2P-Isolator plus 2 x ELCBs

SP&N boards 125A with Transparent Door

No. of Ways	Transparent Door Catalogue Number	Matel Door Catalogue Number	No. of Outgoing MCBs	Width A	Height B	Depth C
4+4	S1CU0122044T	S1CU0122044M	8	205	370	80
6+2	S1CU0122062T	S1CU0122062M	8	205	370	80
6+4		S1CU0122064M	10	205	410	80
6+6		S1CU0122066M	12	205	450	80
8+4		S1CU0122084M	12	205	450	80
8+6		S1CU0122086M	14	205	500	80

3 Phase Distribution Boards

The Supreme series features a rugged metal and plastic combination Enclosure giving an excellent look. Its a complete system with bus bar backpan including Earth & Neutral. Door with special elegant latch, type lock are standard. Key lock is optional.

Load Centers are arranged for Three Phase and neutral incoming supply and outgoing circuits utilizing MCBs up to 63A with 6kA/10kA breaking capacity. These are factory assembled with Form 3b Type 1. ASTA certified busbar system having peak short time withstand current of 17kA and can accommodate SP, DP, & TP MCBs. Ample cabling space is provided. Load Centres are complete with elegant front covers having plastic trims at top and bottom and doors. These plastic trims are available in different colours.

Special Features:

The completely detachable chassis contains all components including neutral and earth bars. It is fixed inside the box with four/six extended studs having star-nuts provided for the adjustment of its depth. The empty enclosure can then be installed easily. This feature avoids the possibility of damaging the interior during construction.

Choice of incomers, Isolators, MCBs, ELCBs are interchangeable

Auto or Non-Auto MCCBs are interchangeable

Door is flush with the cover

Standards

Service Voltage: 415/240V 50/60Hz

Rated Insulation: 600VAC

IEC 439.3 & BS 5486, Part 12

Construction

Load Centers are made from high quality Electro Galvanized Sheet Steel of thickness 1.2mm. The top and bottom of the boxes are provided with knockouts of 20/25mm for outgoing cables and a 38/50mm knockout at the centre for the incoming cable. This facility enables it to be used for top or bottom cable entry. The doors can be locked to cover all devices to prevent unwanted access.

Surface Finish

The surface of the Distribution Boards are pretreated with Zinc Phosphate and protected both internally and externally with polyester powder coating. The color is normally RAL 7035 textured. (Any special color can be made available upon request).

Optional

Incomer Padlocking device

Locking facility for doors

Removable gland plates with or without knockouts

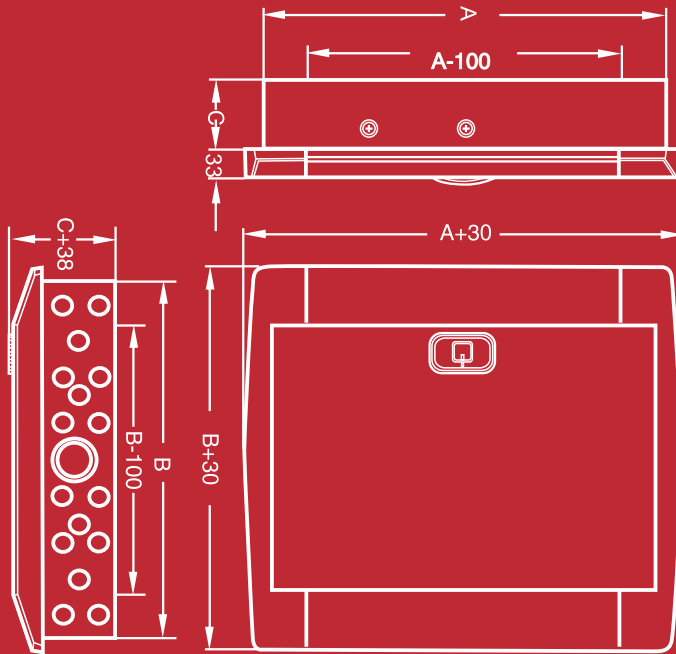
Special boards incorporating contactors, timers, instruments, RCDs, etc.

Standard Distribution Boards with Incoming MCCBs are produced with 3 Pole arrangement. If 4Pole is required, please mention while placing the order.

Plastic trim for top and bottom are available in different colours.



Distribution
Boards



3-Ph-Distribution BOARD with Incoming Isolator or ELCB

TP&N boards 125A

No. of Ways	Catalogue Number	No. of Outgoing MCBs	Box Size		
			Width A	Height B	Depth C
4	S1FD011204	12	400	450	90
6	S1FD011206	18		500	
8	S1FD011208	24		550	
12	S1FD011212	36		650	
14	S1FD011214	42		700	
16	S1FD011216	48		750	
18	S1FD011218	54		850	

3-Ph-Distribution BOARD with Incoming Isolator plus ELCB

TP&N boards 125A

No. of Ways	Catalogue Number	No. of Outgoing MCBs	Box Size		
			Width A	Height B	Depth C
4	S1FD012104	12	400	450	90
6	S1FD012106	18		500	
8	S1FD012108	24		550	
12	S1FD012112	36		650	
14	S1FD012114	42		700	
16	S1FD012116	48		750	
18	S1FD012118	54		850	

3-Ph-Distribution BOARD with Incoming Isolator plus 2 x ELCBs

TP&N boards 125A

No. of Ways	Catalogue Number	No. of Outgoing MCBs	Box Size		
			Width A	Height B	Depth C
2+2	S1FD012222	12	400	450	90
4+2	S1FD012242	18		500	
4+4	S1FD012244	24		550	
6+2	S1FD012262	24		550	
6+4	S1FD012264	30		650	
6+6	S1FD012266	36		650	
8+2	S1FD012282	30		650	
8+4	S1FD012284	36		650	
10+4	S1FD012214	42		700	
10+6	S1FD012216	48		750	
12+4	S1FD012224	48		750	
12+6	S1FD012226	54		850	

3-Ph-Distribution BOARD with Incoming MCCB 125A

TP&N boards 125A

No. of Ways	Catalogue Number	No. of Outgoing MCBs	Box Size		
			Width A	Height B	Depth C
4	S2FD011304	12	400	450	90
6	S2FD011306	18		500	
8	S2FD011308	24		550	
12	S2FD011312	36		650	
14	S2FD011314	42		700	
16	S2FD011316	48		750	
18	S2FD011318	54		850	

3-Ph-Distribution BOARD with Incoming MCCB 160A

TP&N boards 160A

No. of Ways	Catalogue Number	No. of Outgoing MCBs	Box Size		
			Width A	Height B	Depth C
4	S2FD102304	12	400	450	110
6	S2FD102306	18		500	
8	S2FD102308	24		550	
12	S2FD102312	36		650	
14	S2FD102314	42		700	
16	S2FD102316	48		750	
18	S2FD102318	54		850	

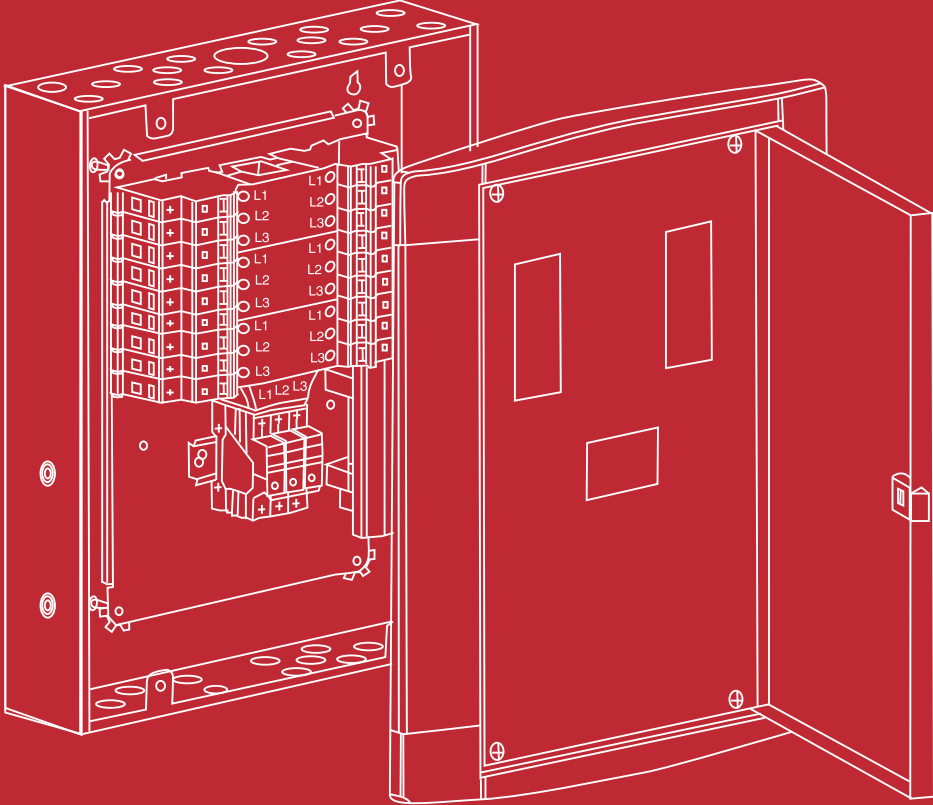
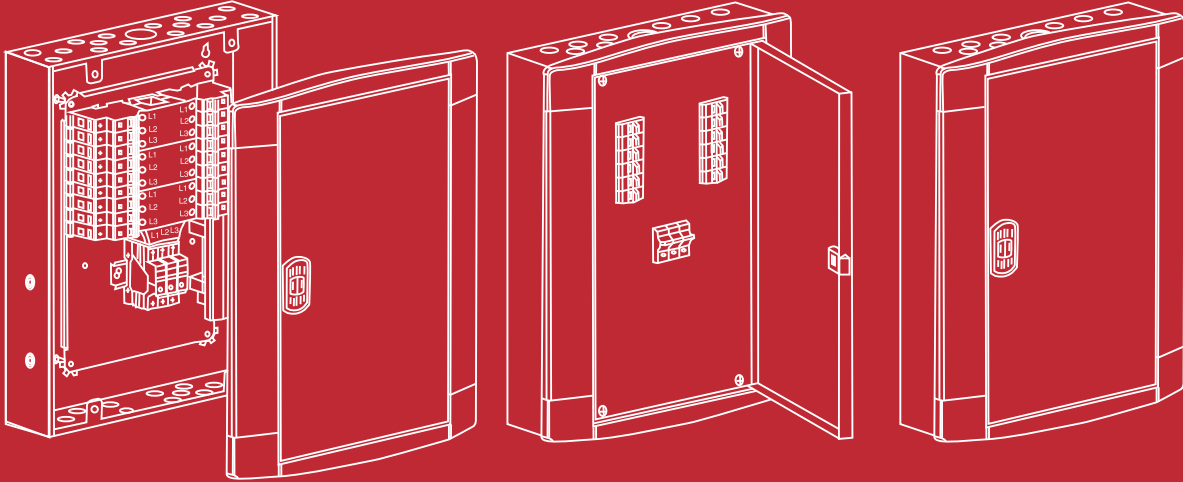
3-Ph-Distribution BOARD with Incoming MCCB 250A

TP&N boards 250A

No. of Ways	Catalogue Number	No. of Outgoing MCBs	Box Size		
			Width A	Height B	Depth C
4	S2FD023304	12	400	450	110
6	S2FD023306	18		500	
8	S2FD023308	24		550	
12	S2FD023312	36		650	
14	S2FD023314	42		700	
16	S2FD023316	48		750	
18	S2FD023318	54		850	

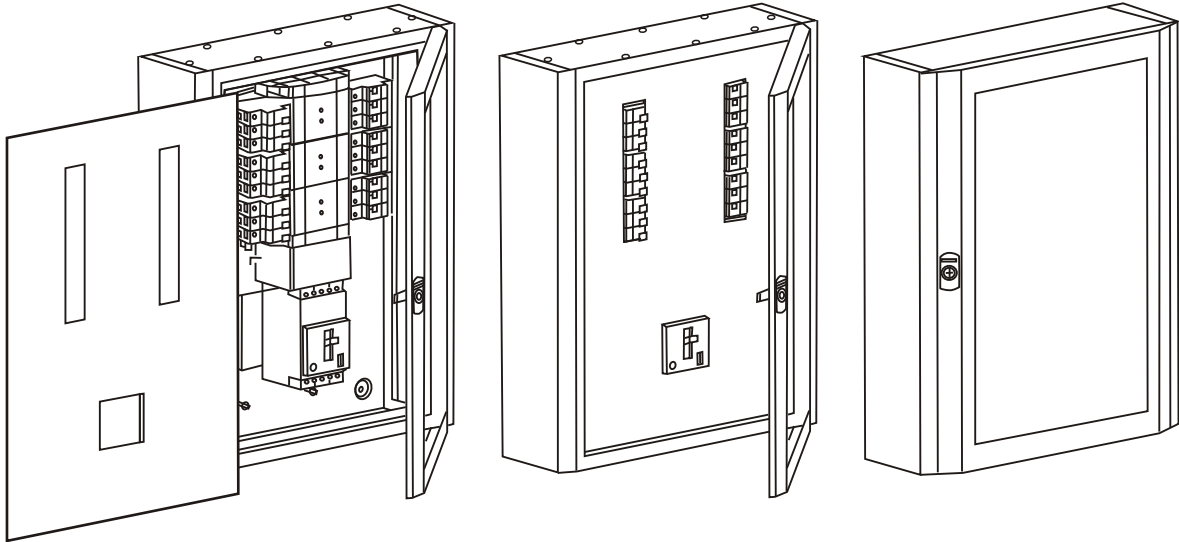
3 Phase Distribution Boards

Diagram 

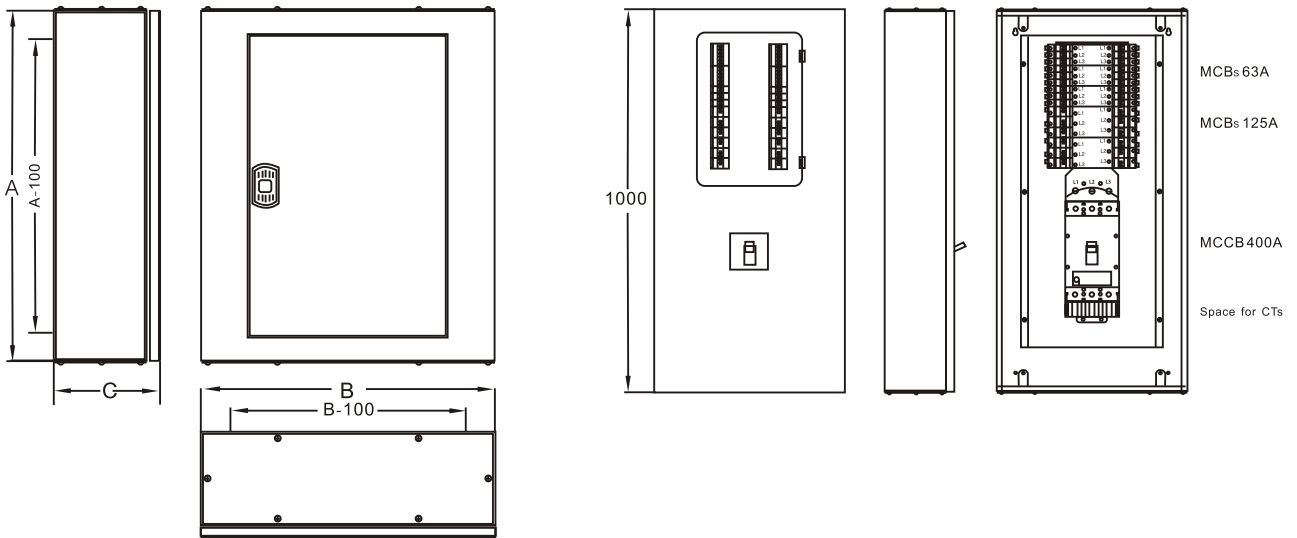


3 Phase Distribution Boards

Diagram



4,6,8 & 12 Ways TP





Miniature
Circuit
Breakers



RI 61

>RI 61 is used for over-current (overload and short-circuit) protection of installations and devices, and as a disconnecter in case of electric shock

>RI 61 miniature circuit breakers are provided with two springs for assembly to a 35 mm wide mounting rail (EN 60715). The springs enable simple taking off irrespective of whether a busbar is positioned below or above

>Special springs are available for fixing miniature circuit breakers with two M5 screws

>A handle can be sealed in ON or OFF position

>Optional operation position

>Degree of protection IP20; degree of protection IP40 after installation in a distribution box

>Additional colour indication of the position of main contacts (red: contact closed; green: contacts open)
Degree of protection IP20; degree of protection IP40 after installation in a distribution box

>Additional colour indication of the position of main contacts (red: contact closed; green: contacts open)



RI 124

>They are used for protecting house and industrial installations.

>RI 124 miniature circuit breakers are provided with two springs for assembly to a 35 mm wide mounting rail in accordance with EN 60715. The springs enable simple taking off irrespective of whether a busbar is positioned below or above.

>A handle can be sealed in ON or OFF position.

>Optional operation position.

>Degree of protection IP20; degree of protection

>Ip40 after installation in a distribution box.



NEXTLITE
CIRCUIT
PROTECTION **ITEMS**

NEXTLITE®

PRODUCTS OF NEXTLITE - UAE

www.nextliteelectricals.com

Email: sales@nextliteelectricals.com