



3CCT
Changeable



150W-120W-100W

Changeable

200W-150W-100W

Changeable

240W-200W-150W

Changeable



0.9



IP65



50000 Hrs
Life Time



140 LM/W

3CCT LED UFO LIGHT

150W -120W-100W / 200W-150W-100W

240W-200W-150W

Specification

Product Name :	3CCT LED UFO LIGHT
Model NO. :	NX-UHBS8-150/120/100W-H-TCP-Y NX-UHBS8-200/150/100W-H-TCP-Y NX-UHBS8-240/200/150W-H-TCP-Y
Specification :	AC120-277V; 50/60Hz; 1375mA; 150/120/100W AC120-277V; 50/60Hz; 1830mA; 200/150/100W AC120-277V; 50/60Hz; 2200mA; 240/200/150W
Working Temp :	-40 45(°C)
Power Factor :	0.9
CRI(ra) :	>70
Color :	Black Color
Light Source :	Luminus SMD2835
Lumen :	21000 lm / 28000 lm / 33600 lm
Life Time :	50000 hrs
Beam Angle :	90 °
Product Size :	10.23"x7.24" inch / 11.04"x8.08" inch
IP :	IP65
Application :	Warehouse, Factory, work shop and so on
Warranty :	5 years
Standard :	UL, DLC
Dimmable :	0%~100% dimming
Color Temp :	3500K- 4000K-5000K Changeable



JOIN US ON OUR
FACEBOOK PAGE +

NEXTLITE PRODUCTS

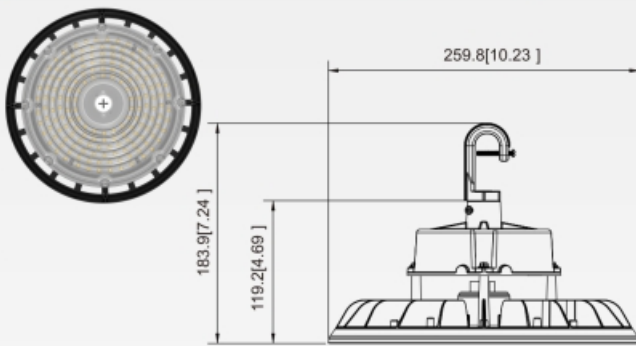


NEXTLITE

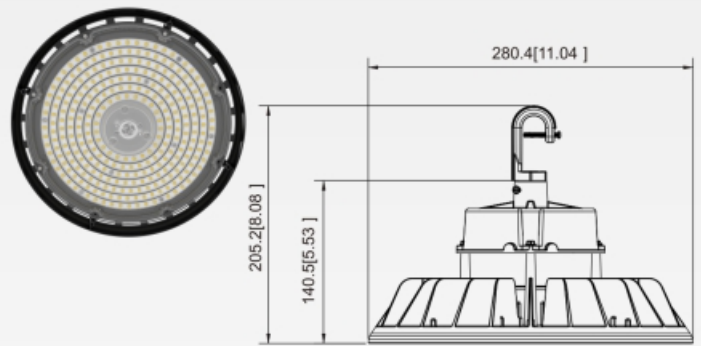
Feature:

1. DLC 5.1 Premium with high luminous efficiency and low UGR;
2. Simple and stylish appearance;
3. Excellent heating dissipation;
4. Branded driver and LED's;
5. Microwave Sensor, PIR Motion sensor, Motion Sensor with Bluetooth ;
6. 0-10 diming.
7. Matches 3PIN/headphone jack/ZHAGA three sensors

Dimension:



150W -120W-100W

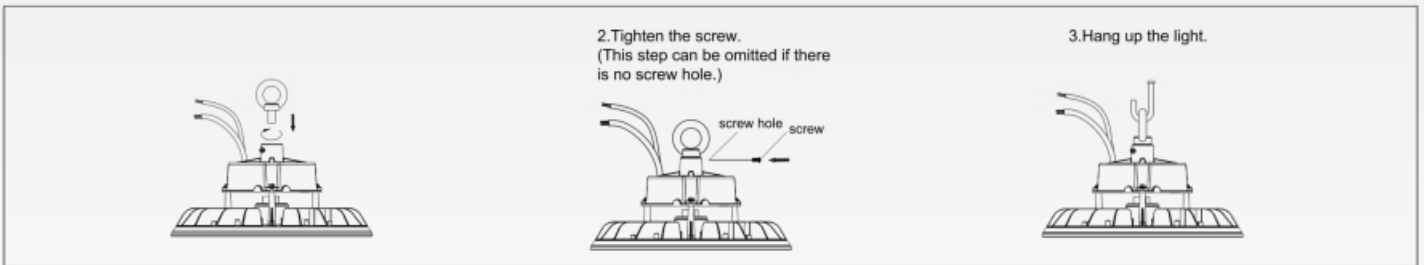


240W-200W-150W

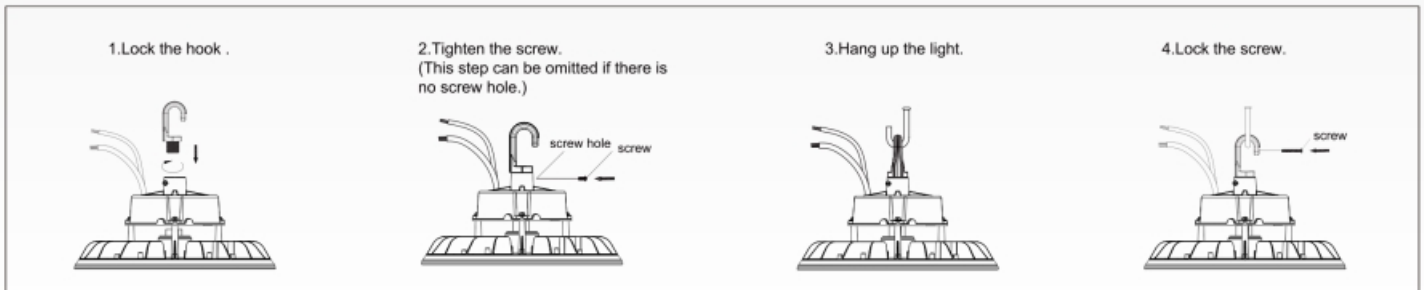
200W-150W-100W

Instruction:

1.Rings type:

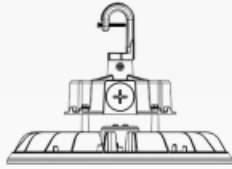


2.Hook type:

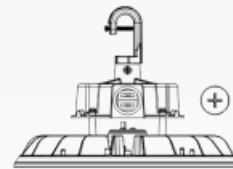


3. Adjust power and color temperature installation

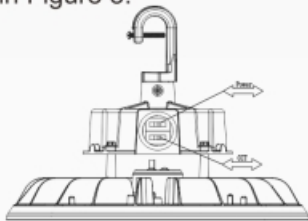
1. Find out the rubber on the driver, as shown in Figure 1.



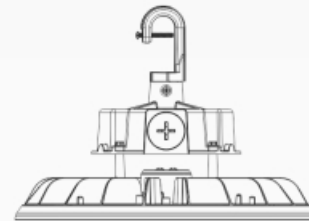
2. Twist out the waterproof cover, as shown in Figure 2.



3. Flip the color temperature switch to the desired color temperature, flip the power switch to the desired wattage, as shown in Figure 3.



4. Restore the installation in the order of Step 321, as shown in Figure 4.

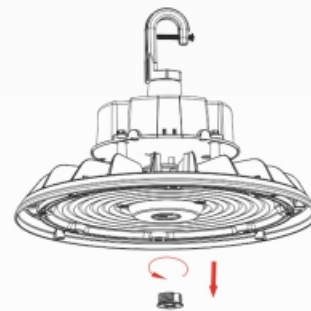


4. Sensor installation

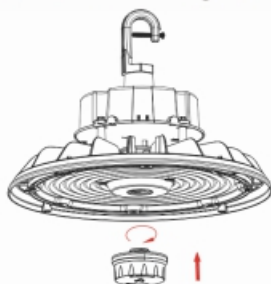
1. Unscrew the plug screws using screws, as shown in Figure 1.



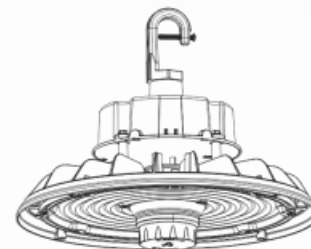
2. Remove the plug screw, as shown in Figure 2.



3. Screw the sensor into the base, as shown in Figure 3.



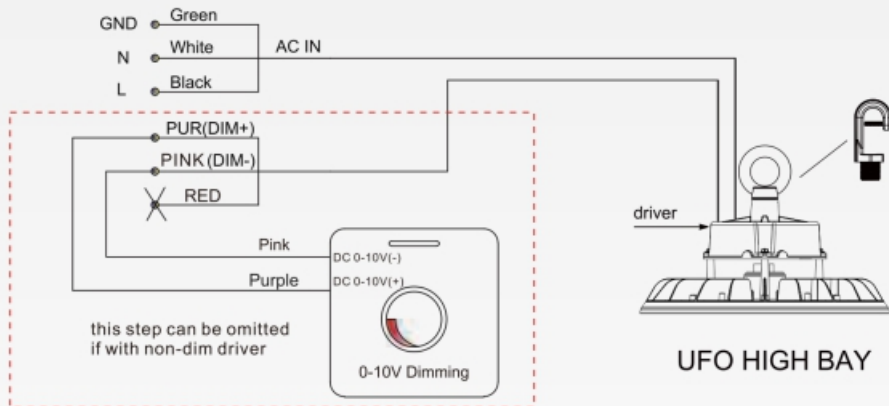
4. Sensor installation, as shown in Figure 4.



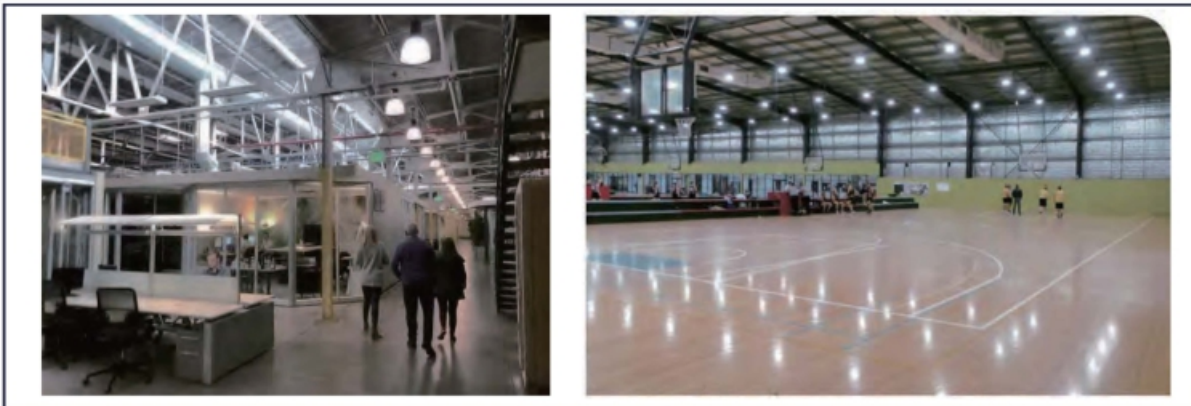
Wiring Connection:

Turn off the power, connect AC wire. Black wire to L, white wire to N, and green wire to PE. Dimmer connection (with dimmable driver.)

1. Compatible with 0-10V dimming.
2. Connect wires as below, purple wire is D+, pink wire is D-, cap red wire.



Applications:



Note:

1. Please let professionals install the lamp;
2. Please cut off the power supply if any abnormal situation;
3. Please clean the glass of high bay light regularly, to keep great lighting transmission;
4. Please clean the high bay light shell termly, to keep good heat dissipation;
5. Please use the dry cloth to clean it only, not by water or caustic solution;
6. Lamp earthing is necessary;
7. High voltage inside, please don't remove it in case of electric shock;