



## MODEL: NX RB1 Driver

- Input: 220-240V / 50/60Hz
- 270mA @230V
- Output: 186-210V
- Max. 430V 285mA
- ta. / tc = 40C°, / 80C°
- PF > 0.9



**3 CCT**  
Changeable



**BACKLIT PANEL**

**40W/50W/60W**

### specification

PRODUCTS NAME :	LED BACKLIT PANEL 60x60
MODEL NO. :	NX-RB1 40W-50W-60W
SPECIFICATION :	AC220-240V , 50/60 Hz, 270mA@230V
WORKING TEMP. :	-20~40 (°C)
POWER FACTOR :	0.9
CRI (ra) :	>80
BODY COLOR :	WHITE
LIGHT SOURCE :	SMD
LUMEN :	100 LM/W ( 4000lm - 50000lm - 6000lm )
BEAM ANGLE :	120°
LIFE TIME :	50000Hrs
PRODUCT SIZE :	595x595x32 mm
IP :	IP65
APPLICATION :	Home, Shop, Hotel, ...etc
WARRANTY :	5 years
STANDARD :	CE

**Color Temperature:**

**3000K / 4000K / 6500K**



NEXTLITE PRODUCTS



NEXTLITE



# LED PANEL INSTALLATION INSTRUCTION

## 1, Application scope

- 1) Situation: Commercial building, education institutions, medical institution, airport, subway, office and other indoor lighting requirements for all occasions.
- 2) Voltage: AC220-240V
- 3) Ambient Temperature: -20°C+40°C
- 4) Ambient Humidity: 10~80%

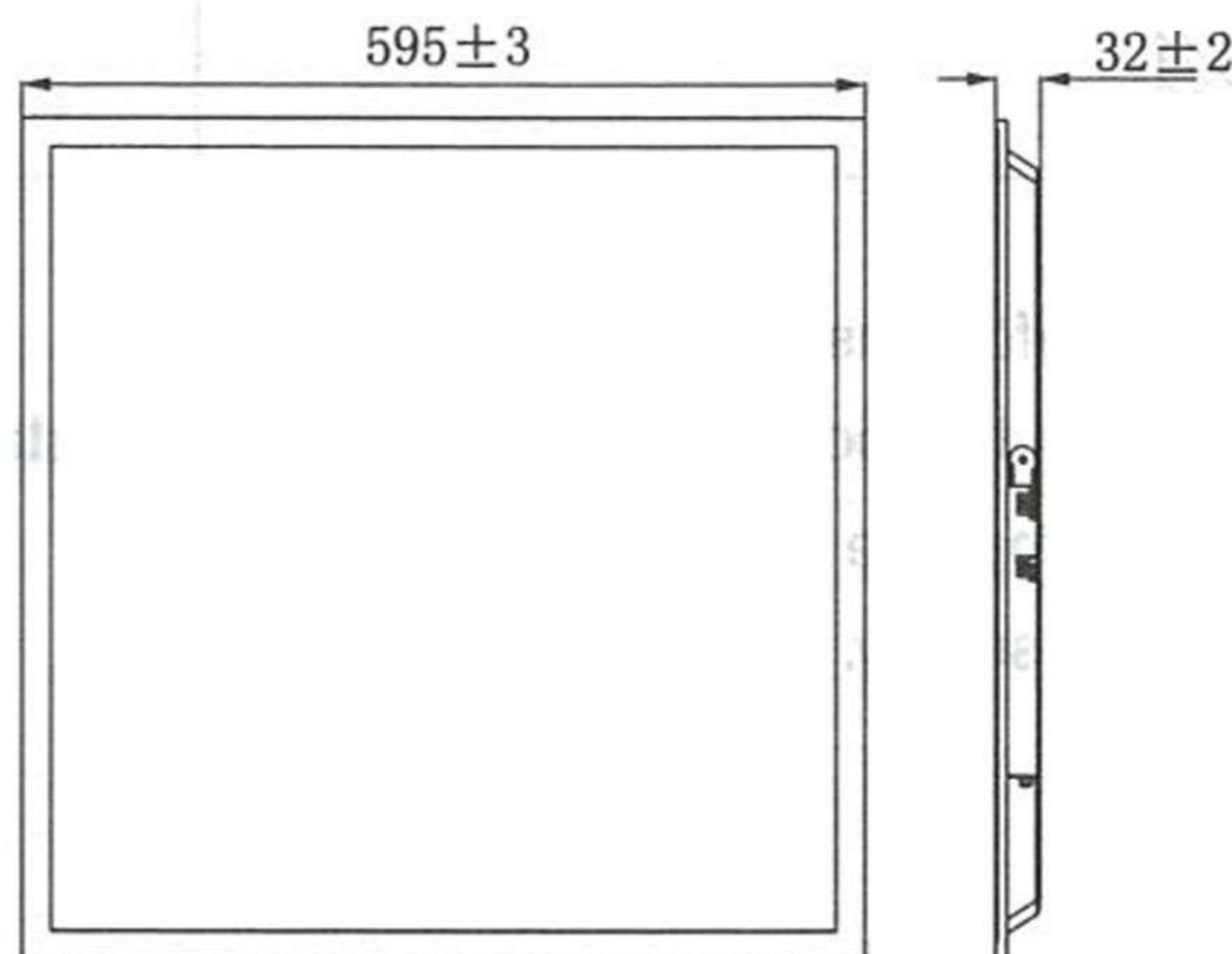
## 2, Characteristics

- 1) Design with ultra-thin and super-bright concept, with succinct and practical appearance.
- 2) Using AL6063-T5 aluminum alloy frame, promoting hardness and heat dissipation effect.
- 3) Using LED source: 100% green product, energy-saving, environmental protection, without any poisonous heavy metals, and no radiation.
- 4) Long lifespan of 50000Hrs, high lumens efficiency and power factor.
- 5) Using advanced optical principle to guide and uniform light, soft light source to make better lighting efficiency.

## 3, Technical Parameters

Model	NX-RB1	Dimension(mm)	595*595*32
Input Voltage	AC220-240V	Frequency	50/60Hz
Wattage	DIP 3 WATTAGE 40W-50W-60W	Fixture Lumens	4000lm-5000lm-6000lm
Lumen efficiency	100lm/W	CRI	>80
CCT	DIP 3 CCT 3000K-4000K-6500K	Lifetime	50000Hrs

## 4, Dimension Drawings

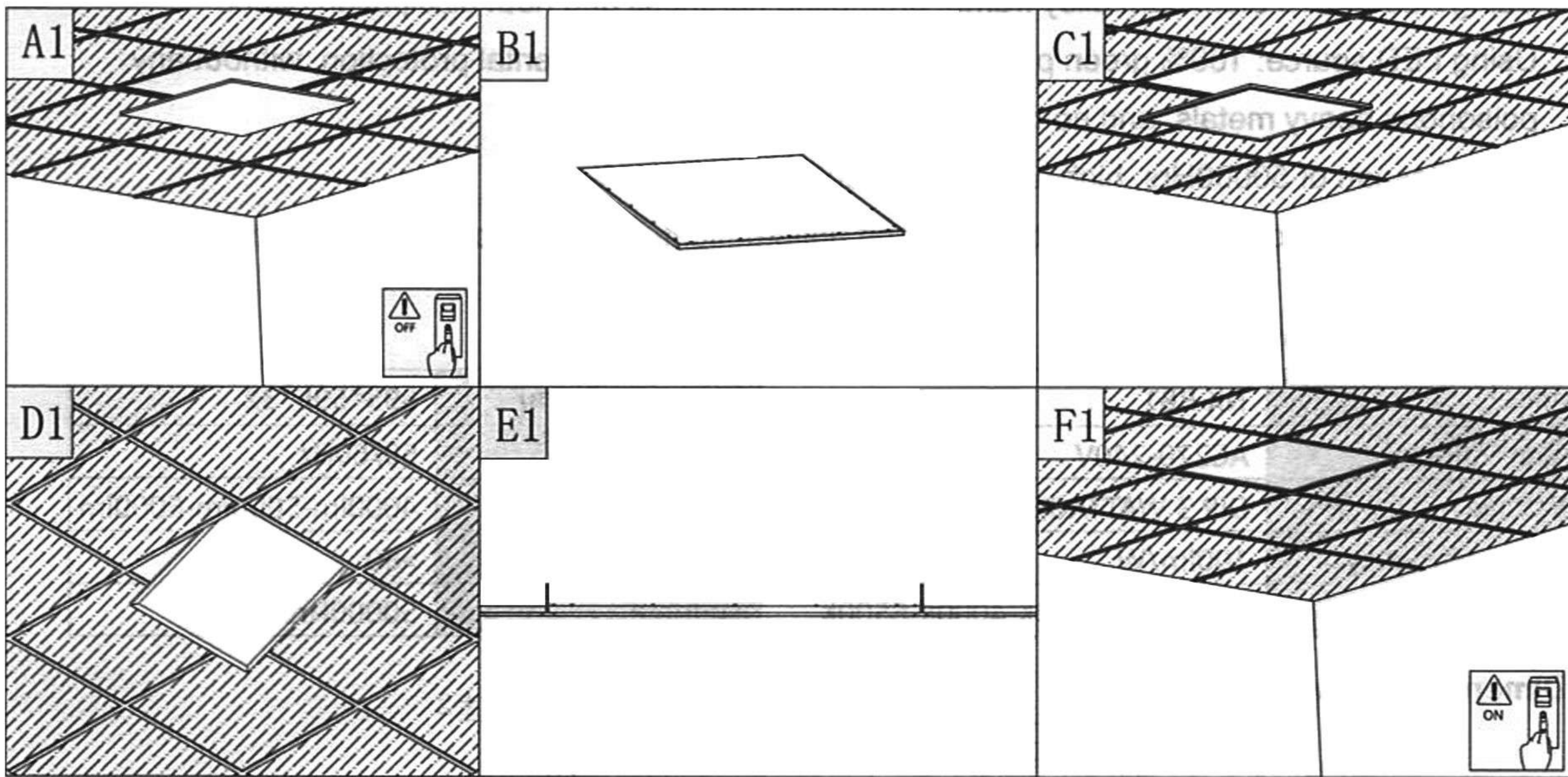
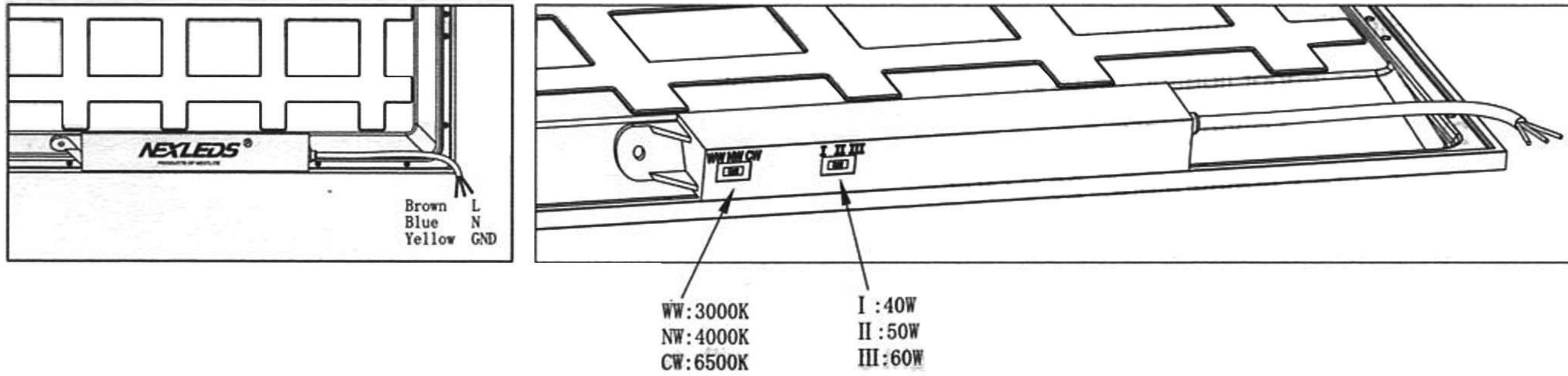


## 5, Installation Diagram

- 1) Only for indoor use, protecting from high magnetic, voltage and thunder surrounding.
- 2) Correct wiring, and securely installed.
- 3) Only use in rated voltage.
- 4) Cut off the power source before connecting the wires.
- 5) Should not be installed without valid documents.
- 6) Please ask for help from professional electrician when installation.
- 7) The light source contained in this luminaire shall only be replaced by the manufacturer or his service agent or a similar qualified person.
- 8) If the external flexible cable or cord of this luminaire is damaged, it shall be exclusively replaced by the manufacturer or his service agent or a similar qualified person in order to avoid a hazard.



# LED PANEL INSTALLATION INSTRUCTION



## 6, Installation steps:

- 1) Cut off the power source before installation.
- 2) Remove the ceiling tile from the location where you wish to install the LED panel.
- 3) Place the fixture in the appropriate T-bar ceiling structure.
- 4) Reconnect the main power supply.



For indoor use only



Risk of electric shock



The relevant symbol for luminaire are not suitable for covering with thermally insulated material



Waste electrical products should not be disposed of with household waste. Please recycle where facilities exist. Check with your Local Authority or local store for recycling advice.



Class I product-earth required