

LED ALUMINUM PROFILE

NX-3515-SL RECESSED

NX-3515-R-SL



HIGH QUALITY
Aluminum 6063-T5



PERFECT HEAT DISSIPATION



OPAL DIFFUSER
Soft & Uniform Light



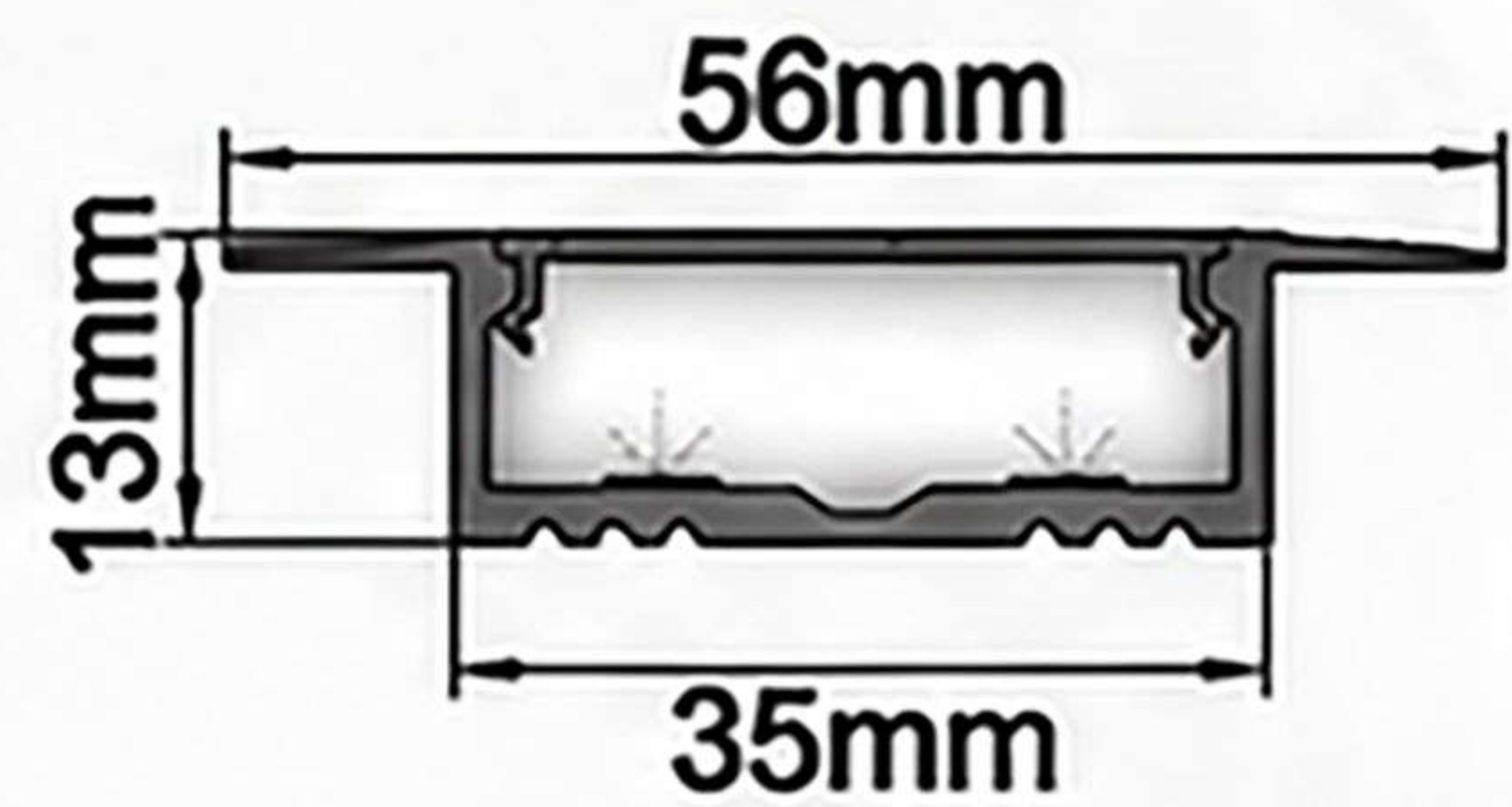
EASY INSTALLATION



SPECIFICATIONS

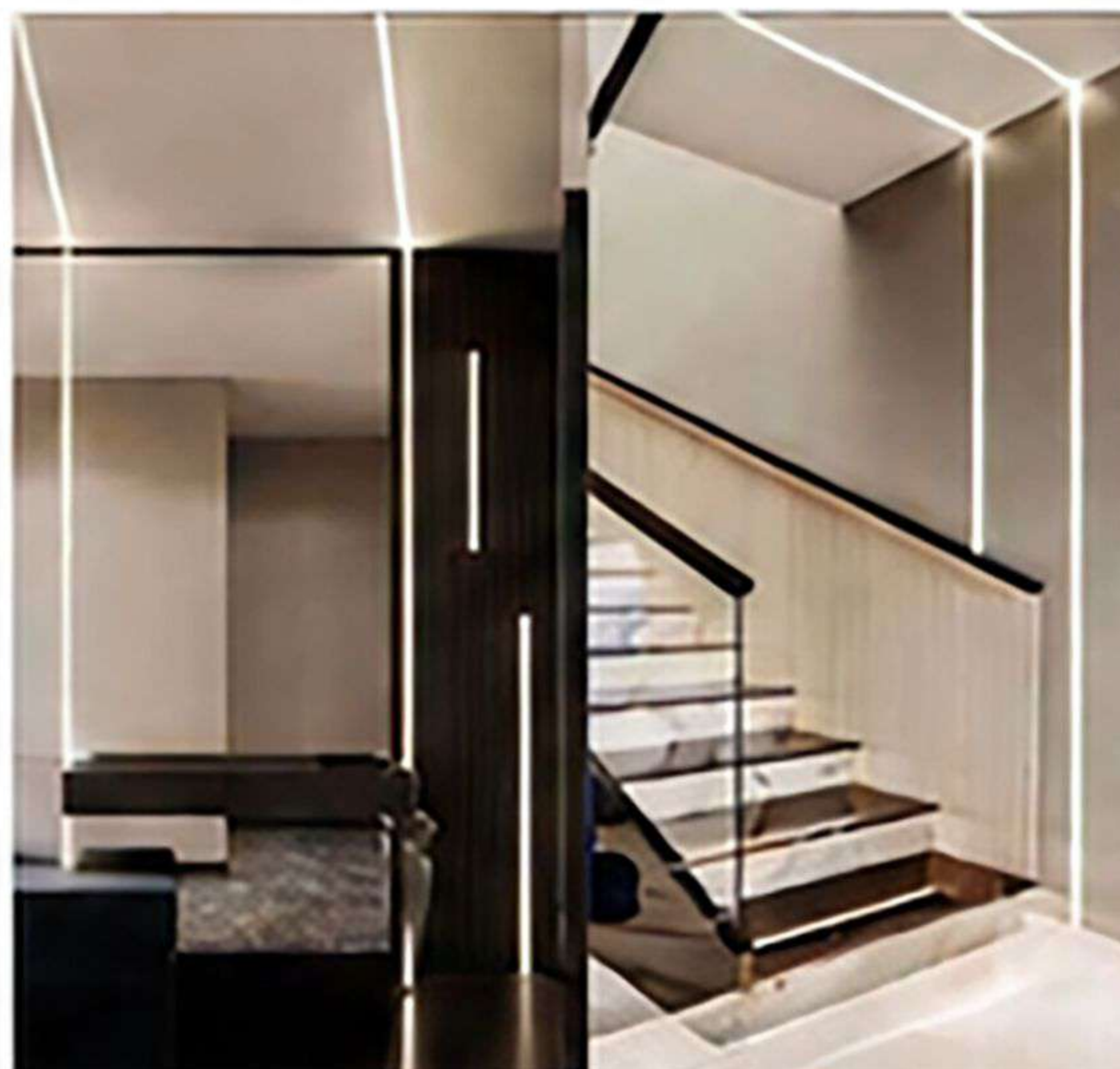
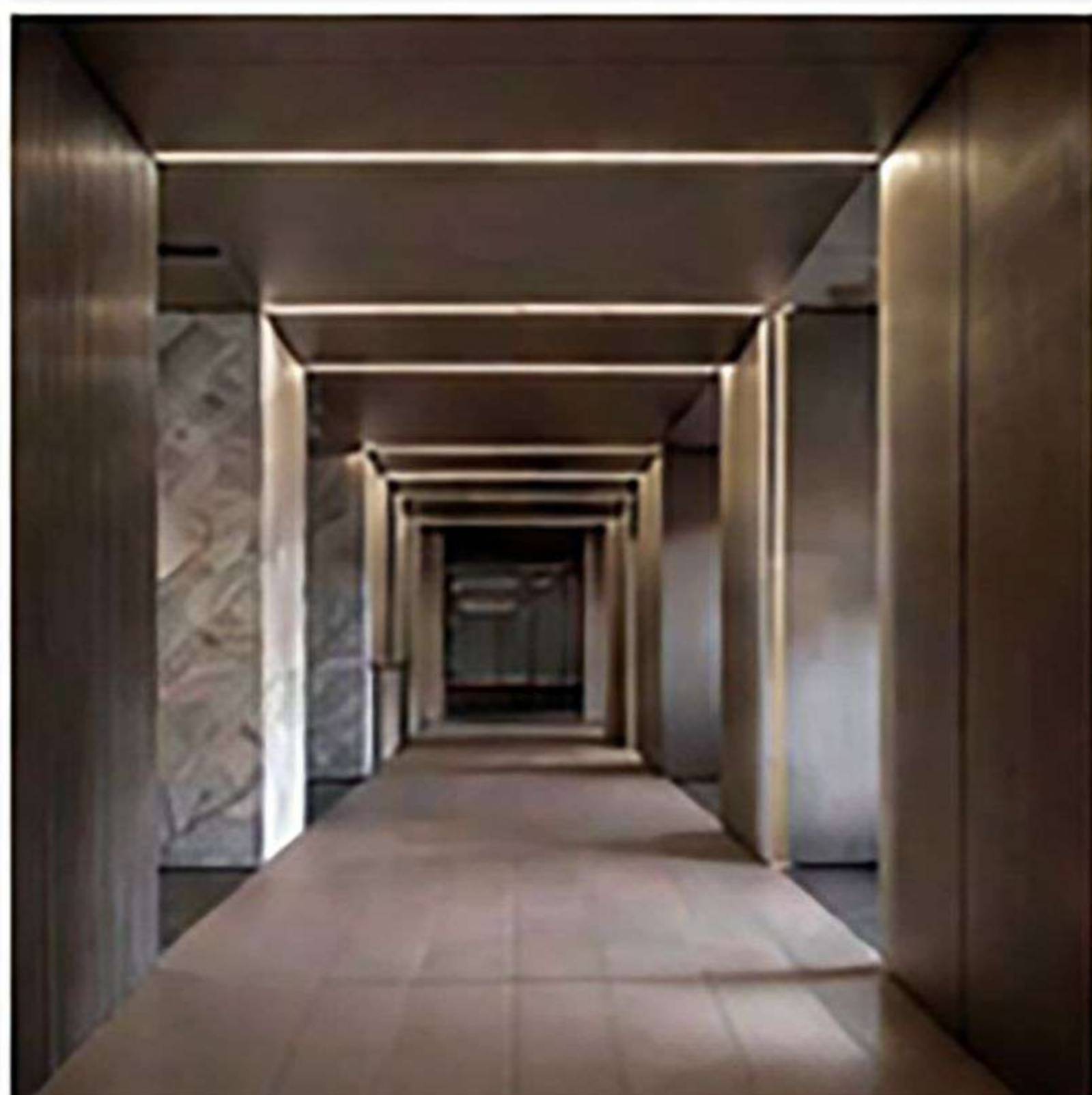
PRODUCT NAME :	Aluminum Profile - CORNER Surface
MODEL NUMBER :	NX-3515-R SL
INSTALLATION :	Recessed
MATERIAL :	Aluminum - 6063T5
SIZE :	W: 56.0mm, H: 13.0mm, L: 3000mm
SURFACE :	SLIVER
PC COVER :	Avaiable with opal diffuser
APPLY :	LED Strip and PCB
WARRANTY :	5years

DIMENSIONS

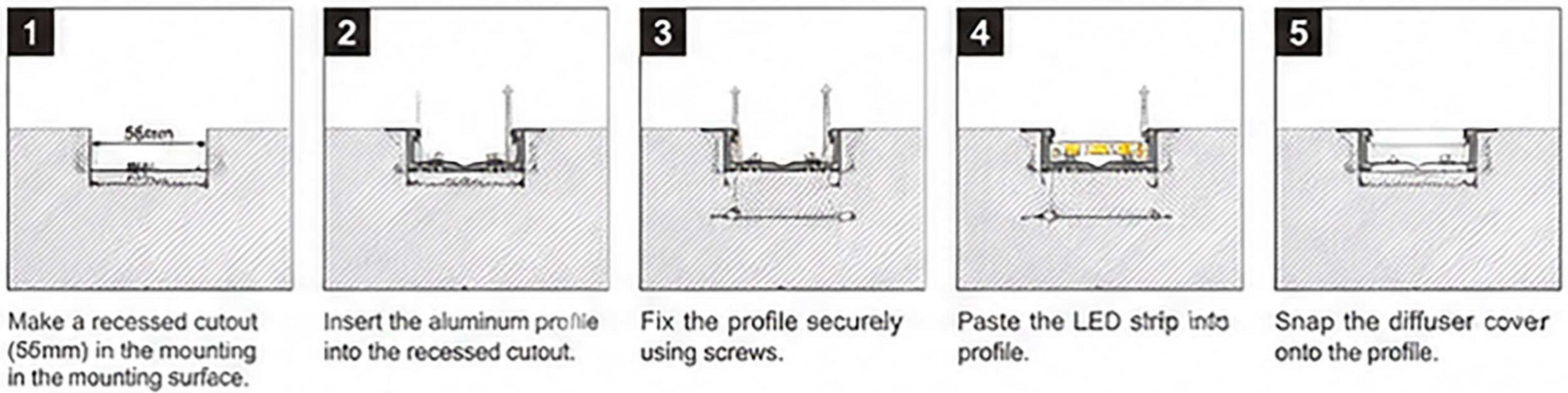


COMPATIBLE LED STRIP

MAX PCB WIDTH 35mm



INSTALLATION METHOD



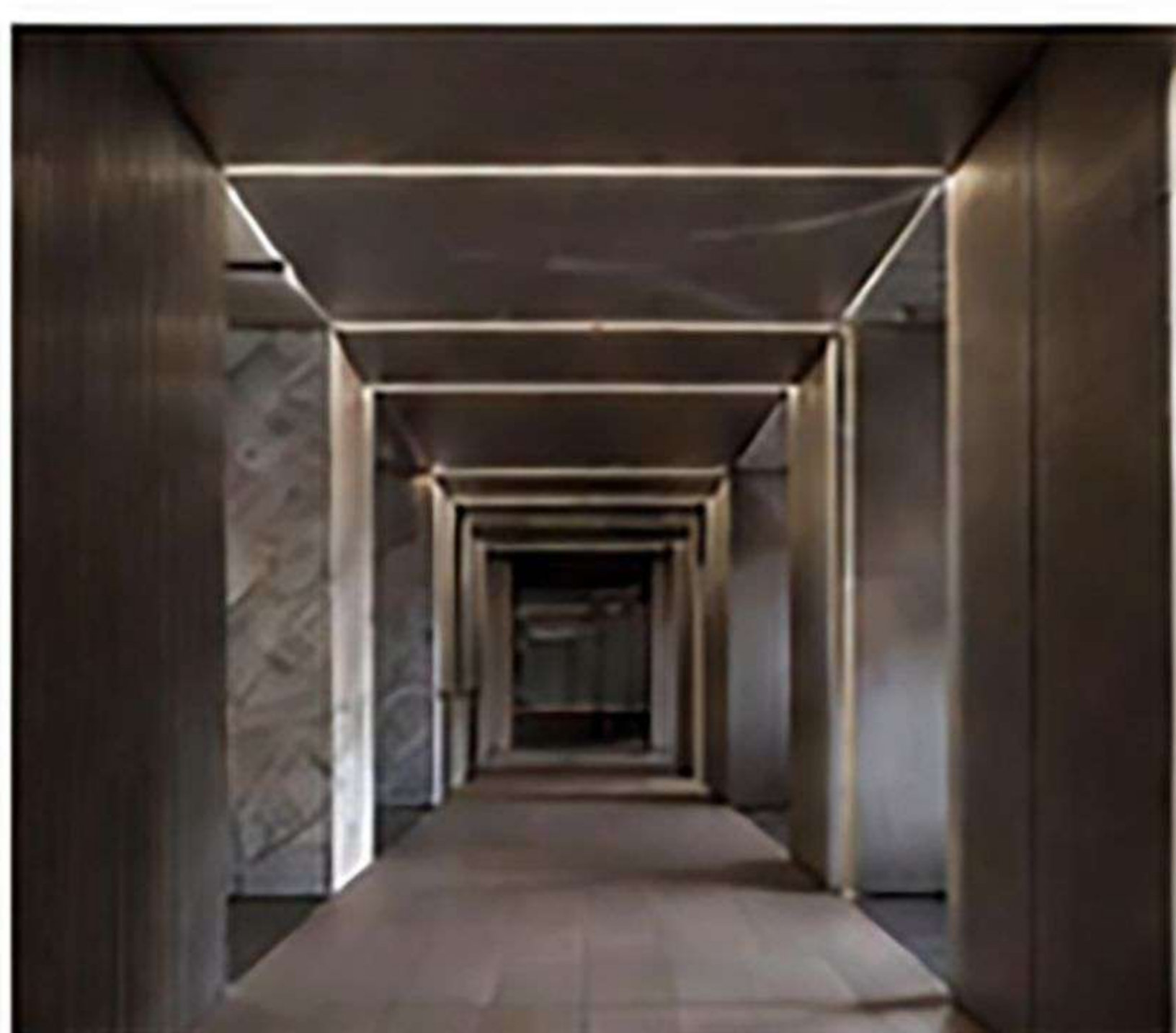
OPERATION GUIDE



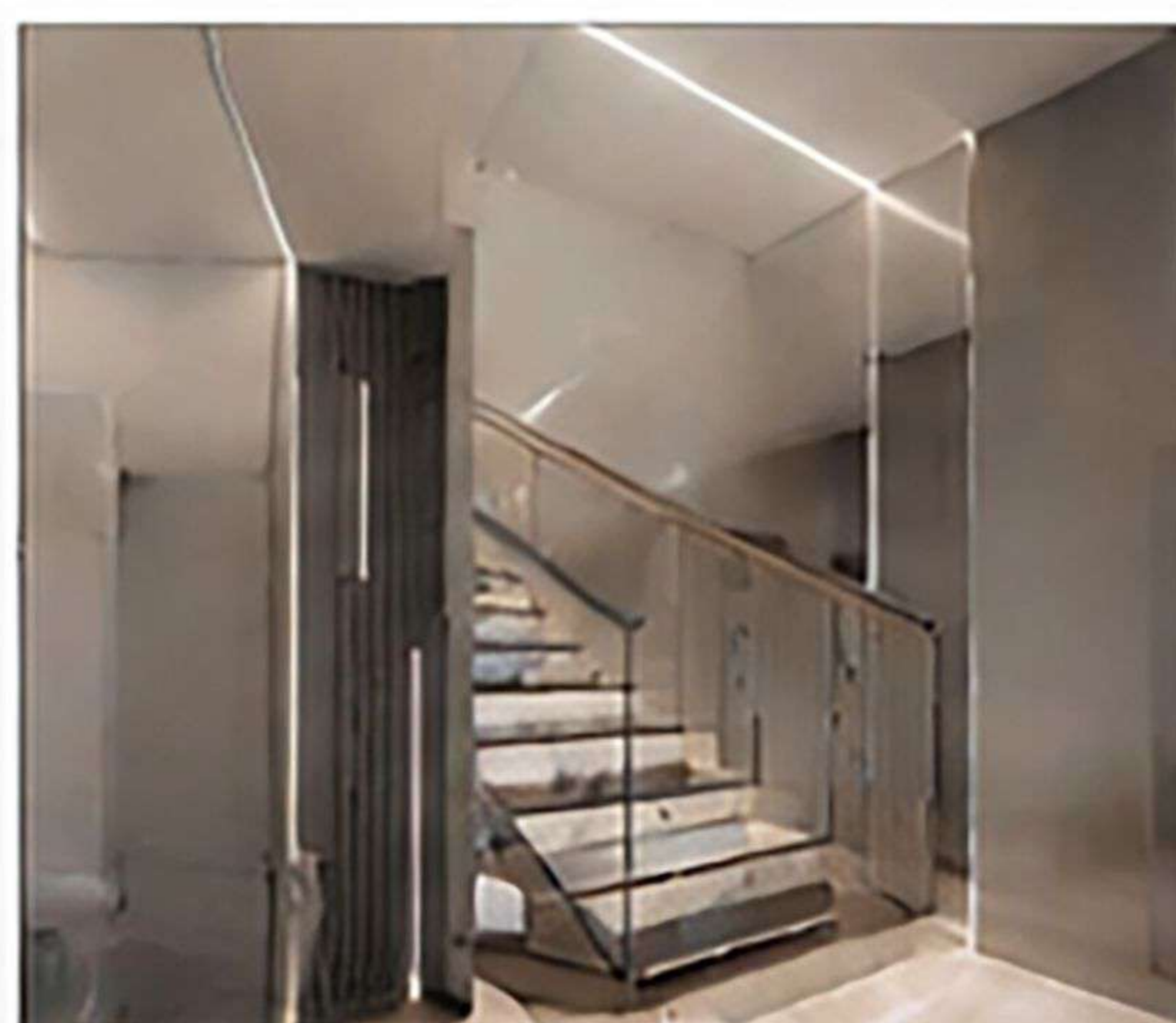
TECHNICAL SPECIFICATIONS

Material	Aluminum 6063-T5	Heat Dissipation	Excellent
Surface Finish	Silver (Anodized)	Application	LED Strip / PCB
Installation Type	Recessed	Environment	Indoor
Profile Size	W56 x H13 mm	Operating Temperature	-20°C ~ +45°C
Length	3000 mm	Warranty	5 Years
Max PCB Width	35 mm		
Cover Type	Opal Diffuser		
Light Transmission	> 85%		

APPLICATIONS



CORRIDOR LIGHTING



STAIRCASE LIGHTING



COMMERCIAL LIGHTING