

# SPECIFICATION

**NEXLEDS**<sup>®</sup>  
NEXLEDS LTD



**3CCT**  
Changeable



**200W-150W-100W**

**Changeable**

**240W-200W-150W**

**Changeable**



0.9



Ip65



50000 Hrs  
Life Time



140 LM/W

VIDEO



## 3CCT LED UFO Highbay

150W / 220W-150W-100W / 240W-200W-150W

### Specification

Product Name :	<b>3CCT LED UFO Highbay</b>
Model NO. :	NX-UHBS7-150W-H-MV-TC(XX)-Y NX-UHBS7-200/150/100-H-MV-TCP(XX)-Y NX-UHBS7-240/200/150-H-MV-TCP(XX)-Y
Specification :	AC120-347V ; 50/60Hz; 1375mA; <b>150W</b> AC120-347V ; 50/60Hz; 1833mA; <b>200W-150W-100W</b> AC120-347V ; 50/60Hz; 2200mA; <b>240W-200W-150W</b>
Working Temp :	-40°C~45°C
Power Factor :	0.9
CRI(ra) :	>80
Color :	Black Color
Light Source :	Luminus SMD2835
Lumen :	140 LM/W
Life Time :	50000 hrs
Beam Angle :	80°
Product Size :	11.02*4.67 inch / 13.31*5.02 inch / 13.31*5.02 inch
IP :	IP65
Application :	Warehouse, Factory, work shop and so on
Warranty :	5 years
Standard :	UL
Color Temp :	3500K- 4000K-5000K Changeable



www.nexleds.ca



Email: sales@nexleds.ca

**NEXLEDS**<sup>®</sup>

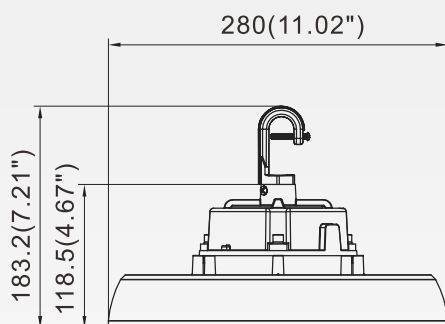
NEXLEDS LTD

**Feature:**

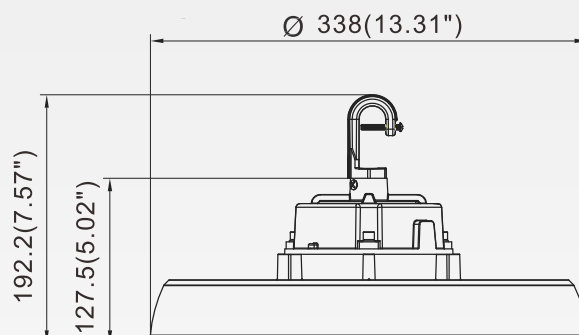
1. High luminous efficiency and low UGR
2. Simple and stylish appearance
3. Excellent heating dissipation
3. Branded driver and LED's
4. Microwave Sensor, PIR Motion sensor, Motion Sensor with Bluetooth (optional)
5. Very complete accessories for option



**Dimension:**



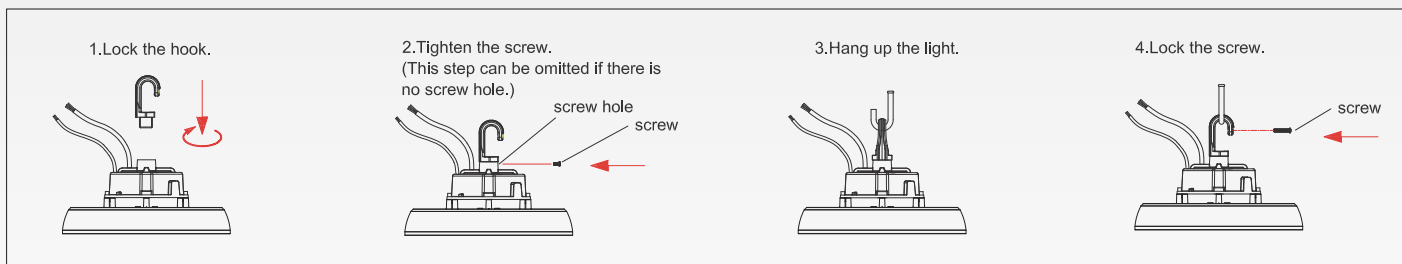
**150W**



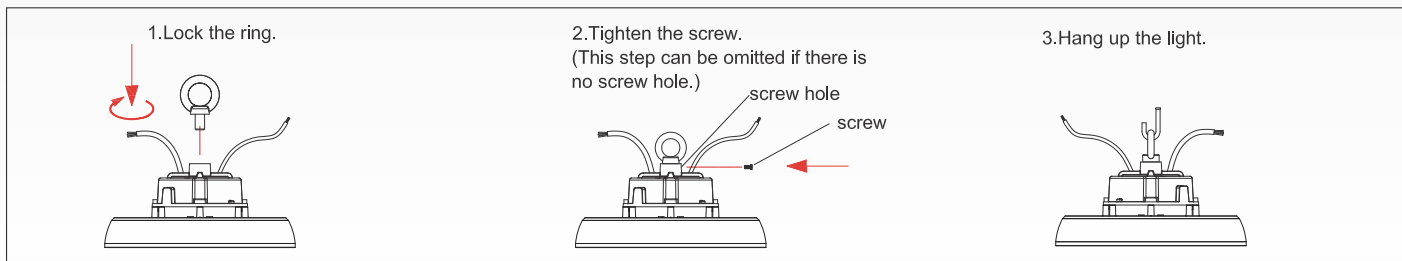
**200W-150W-100W**  
**240W-200W-150W**

**Instruction:**

**1. Hook type:**



**2. Rings type:**

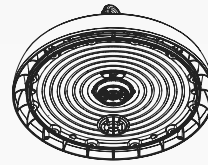


**3. Adjust power and color temperature installation**

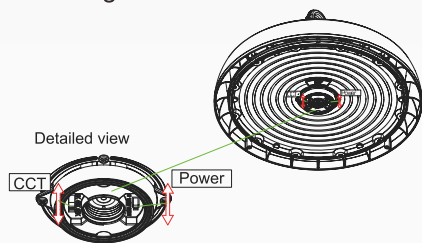
1. Use a screwdriver to remove the fixing screws, as shown in Figure 1.



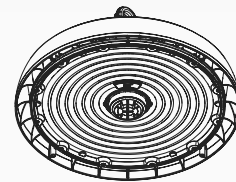
2. Remove the fixing screws and cover plate, as shown in Figure 2.



3. Flip the color temperature switch to the desired color temperature, flip the power switch to the desired wattage, as shown in Figure 3.

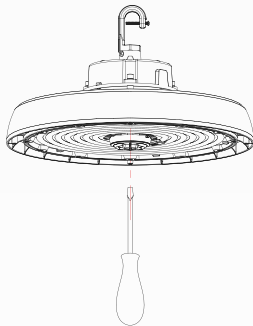


4. Restore the installation in the order of Step 321, as shown in Figure 4.

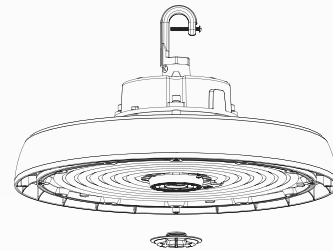


**4. Sensor installation**

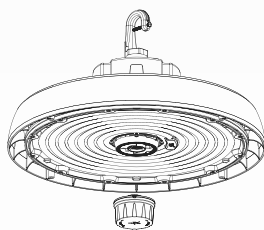
1. Unscrew the plug screws using screws, as shown in Figure 1.



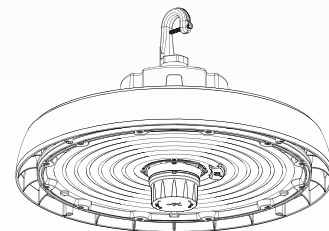
2. Remove the plug screw, as shown in Figure 2.



3. Screw the sensor into the base, as shown in Figure 3.



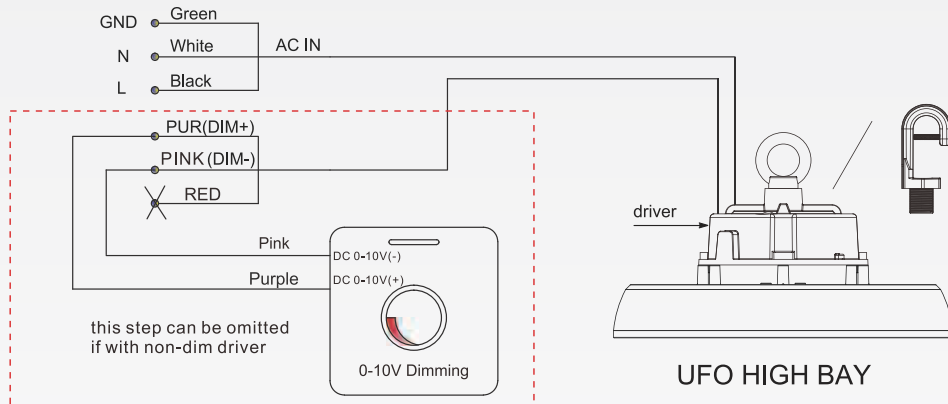
4. Sensor installation, as shown in Figure 4.



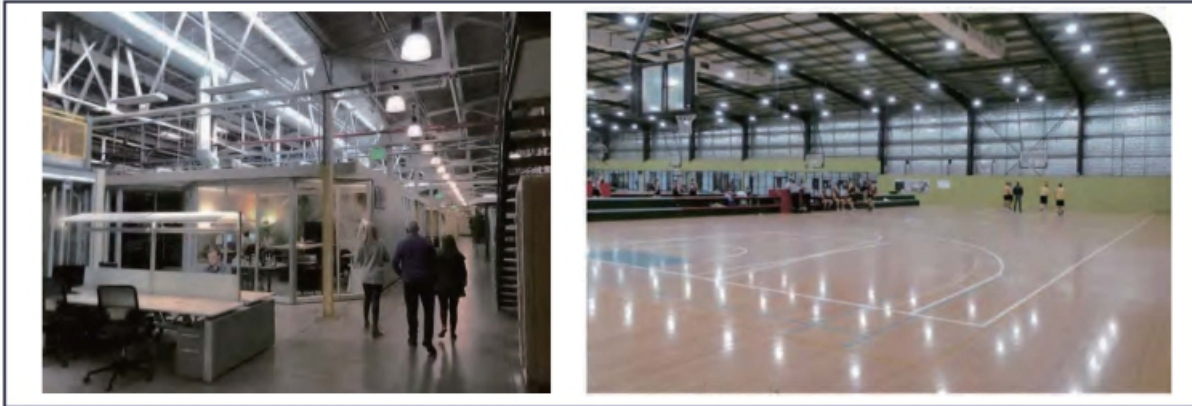
## Wiring Connection:

Turn off the power, connect AC wire. Black wire to L, white wire to N, and green wire to PE.  
Dimmer connection (with dimmable driver.)

1. Compatible with 0-10V dimming.
2. Connect wires as below, purple wire is D+, pink wire is D-, cap red wire.



## Applications:



## Note:

1. Please let professionals install the lamp;
2. Please cut off the power supply if any abnormal situation;
3. Please clean the glass of high bay light regularly, to keep great lighting transmission;
4. Please clean the high bay light shell termly, to keep good heat dissipation;
5. Please use the dry cloth to clean it only, not by water or caustic solution;
6. Lamp earthing is necessary;
7. High voltage inside, please don't remove it in case of electric shock;
8. Glass accessory included, please take care of it when using and storage, avoid high pressure on it;

